

# 150 X 110 X 30 CM

## 59.1" X 43.3" X 11.8"

### MADERCLICK SUPERPLUS 4/300

**5** Años Garantía  
Years Guarantee  
Jahre Garantie  
Ans Garantie  
Anos de Garantía  
**SIMONRACK**

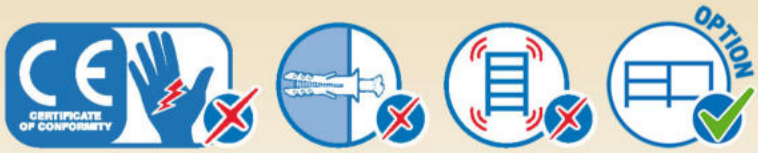
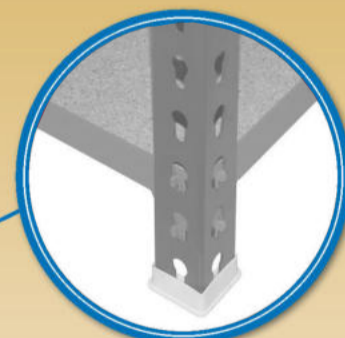
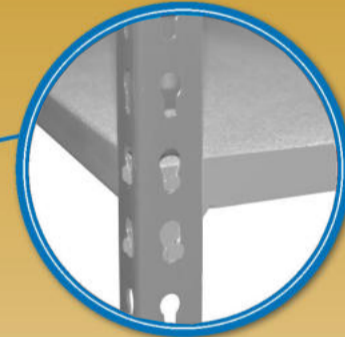
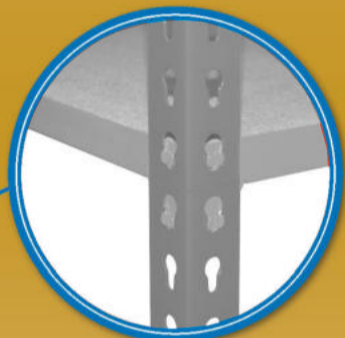
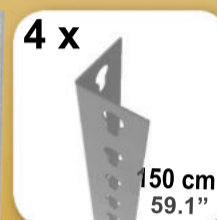


150 cm (59.1")

30 cm (11.8")

110 cm (43.3")

**800 kg**  
(1800 lb)  
**Total**



ESTANTERIAS SIMON S.L. B.50.556.463  
PG. ALFAMEN C/ POLIGONO C, N°3  
ALFAMEN (ZARAGOZA)



[www.simonrack.com](http://www.simonrack.com)



INSTRUCTIONS

