

200 x 100 x 40 cm*

78.7" x 39.4" x 15.8"

MADERCLICK PLUS 5/400

5 Años Garantía
Years Guarantee
Jahre Garantie
Ans Garantie
Anos de Garantia

SIMONRACK



200 cm (78.7")

40 cm (15.8")

100 cm (39.4")

150 kg
(330 lb)

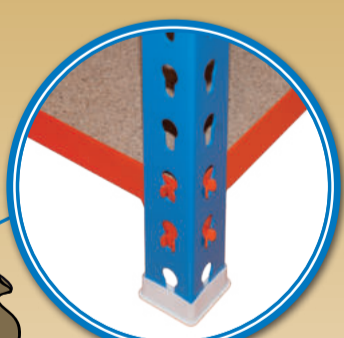
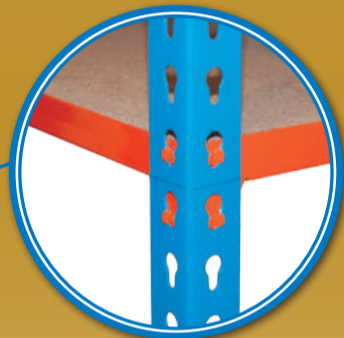
150 kg
(330 lb)

750 kg
(1654 lb)
Total

150 kg
(330 lb)

150 kg
(330 lb)

150 kg
(330 lb)



*MEDIDAS EN USO: 1975 x 1010 x 410 mm
USED MEASUREMENTS: 77.7" x 39.80" x 16.14"



ESTANTERIAS SIMON S.L. B.50.556.463
PG. ALFAMEN C/ POLIGONO C, Nº3
ALFAMEN (ZARAGOZA)



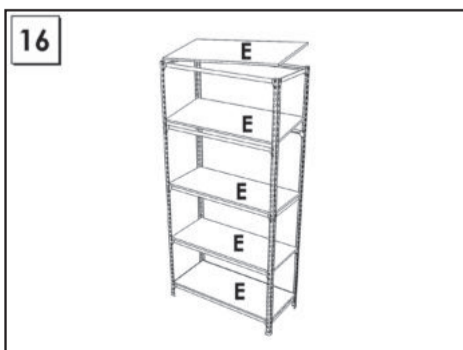
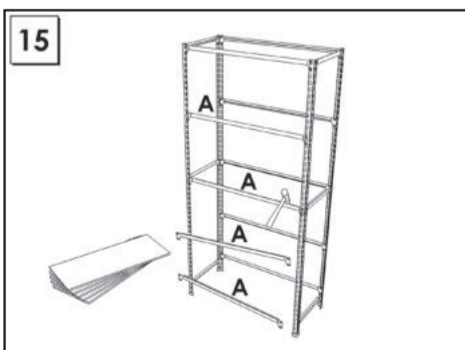
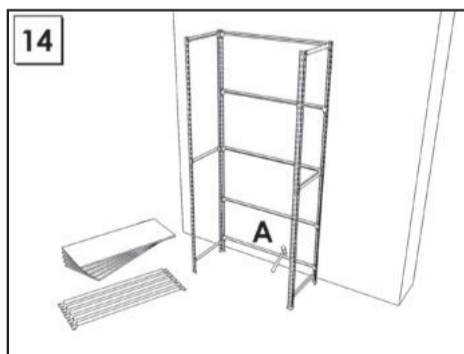
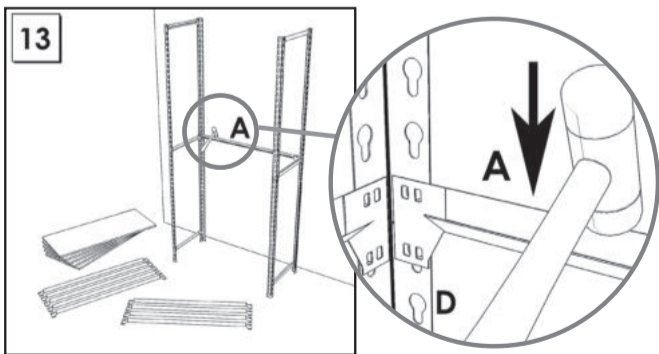
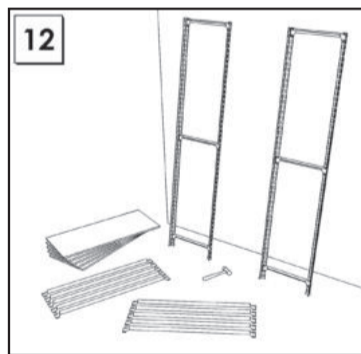
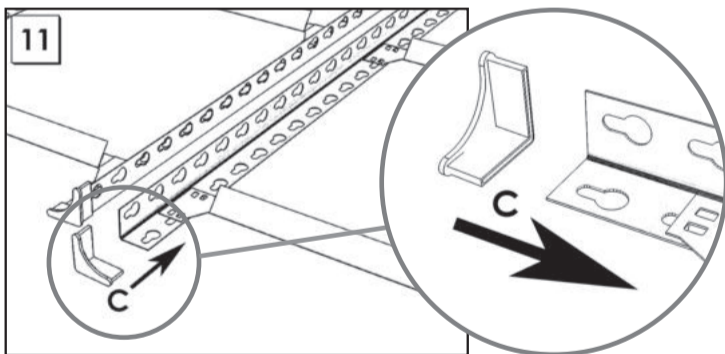
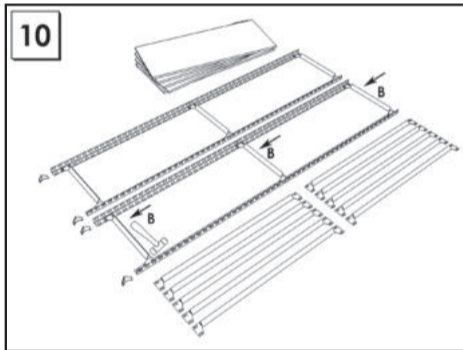
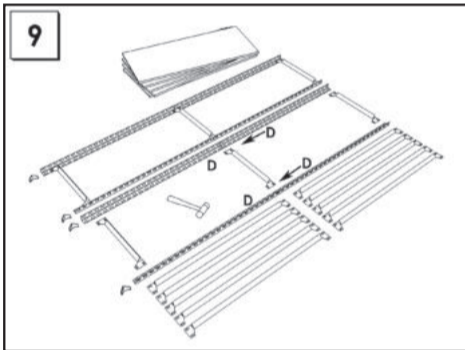
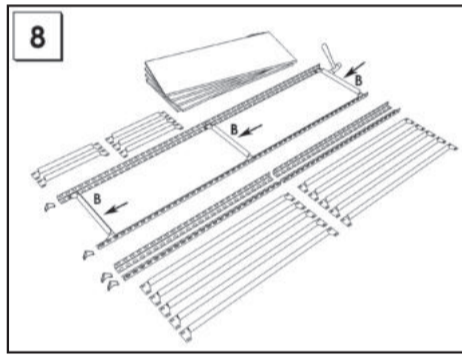
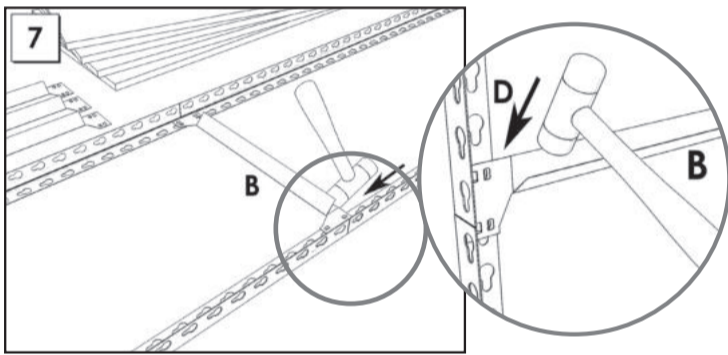
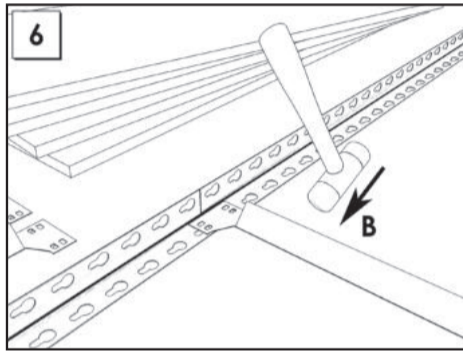
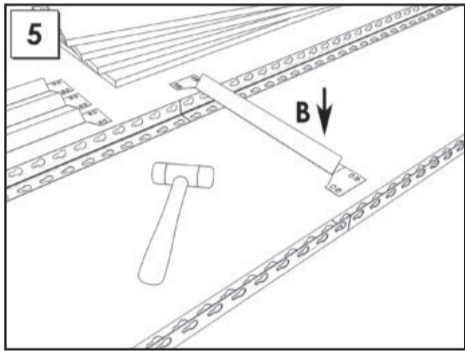
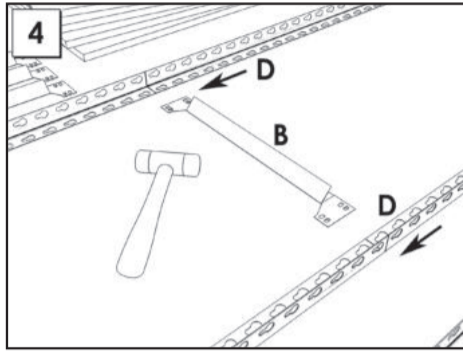
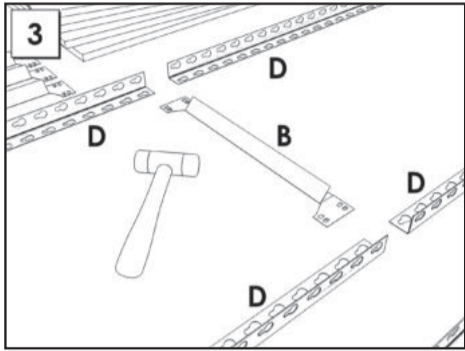
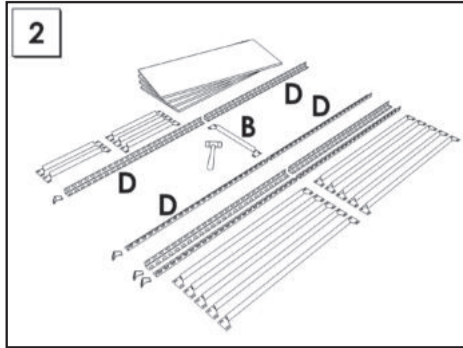
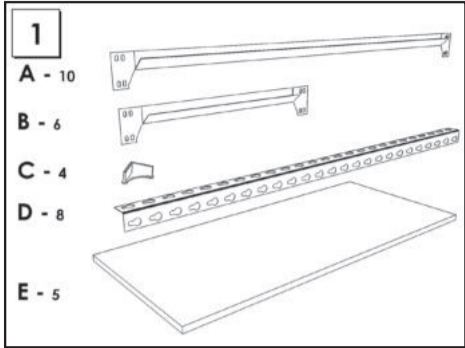
Simon Rack
SINCE 1964 - MANUFACTURER



www.simonrack.com



INSTRUCCIONES
INSTRUCTIONS
ANLEITUNG
INSTRUCTIONS



SIMONCLASSIC



SIMONCLICK



SIMONTALLER



SIMONAUTO



SIMONWORK



SIMONLOCKER



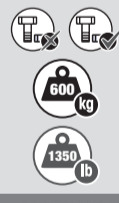
SIMONOFFICE



SIMONHOME



SIMONGARDEN



SIMONTITÁN



SIMONINOX



SIMONINDUSTRIAL



ALTILLOS Y PASILLOS ELEVADOS
PLATFORMS AND MEZZANINES
LAGERBÜHNEN • PLATES-FORMES ET MEZZANINES



* Kg / lb por bandeja con carga uniformemente repartida
Kg / lb per shelf uniformly distributed load
Kg / lb pro fach bei gleichmäßig verteilter last
Kg / lb par plateau avec charge uniformément répartie