

# 100 X 100 X 40 CM

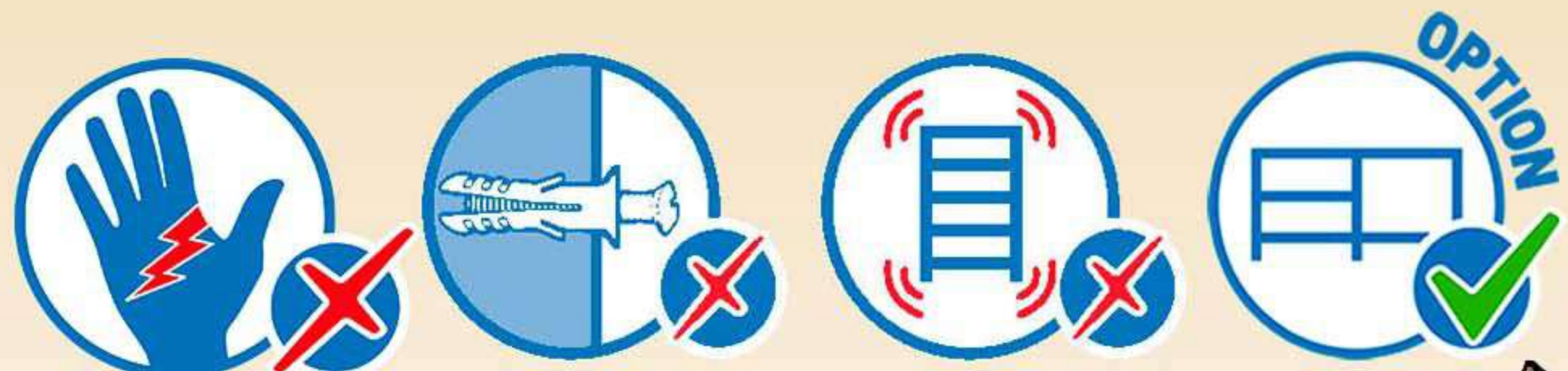
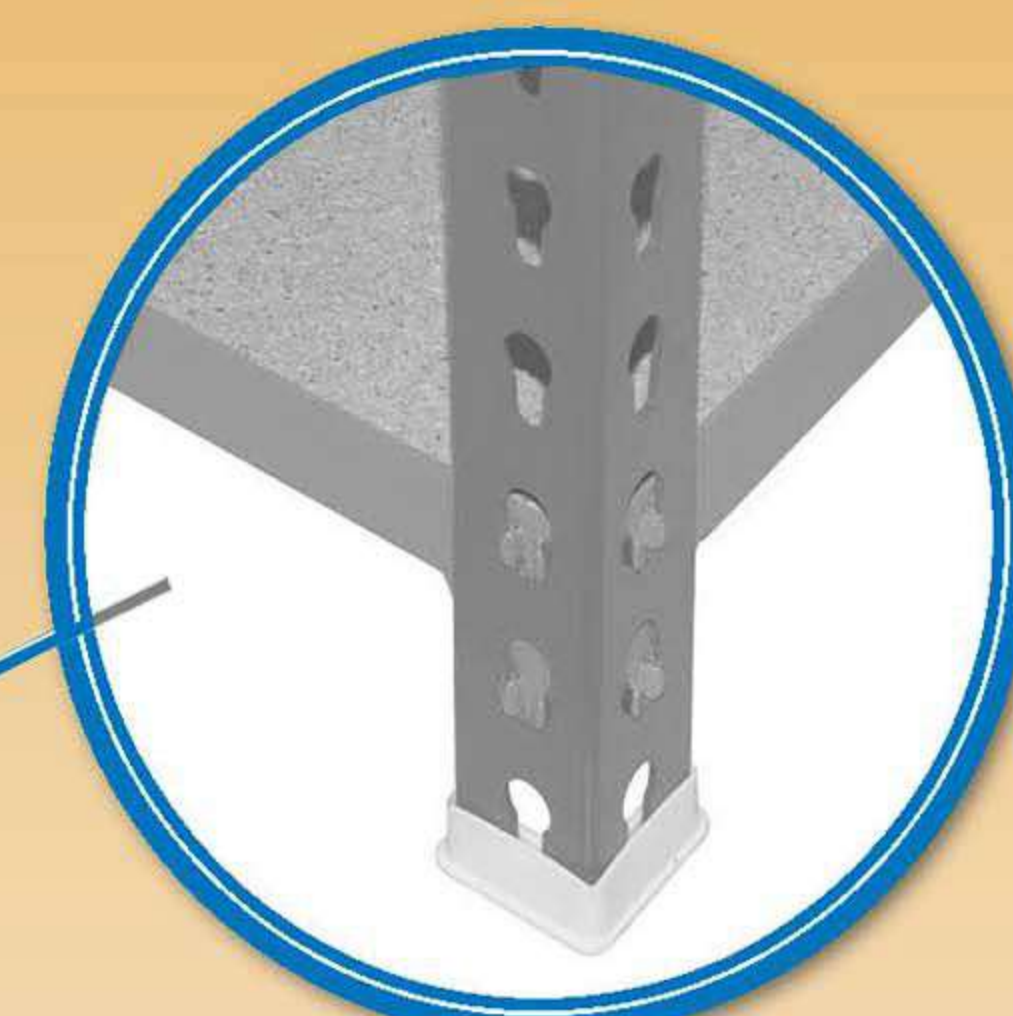
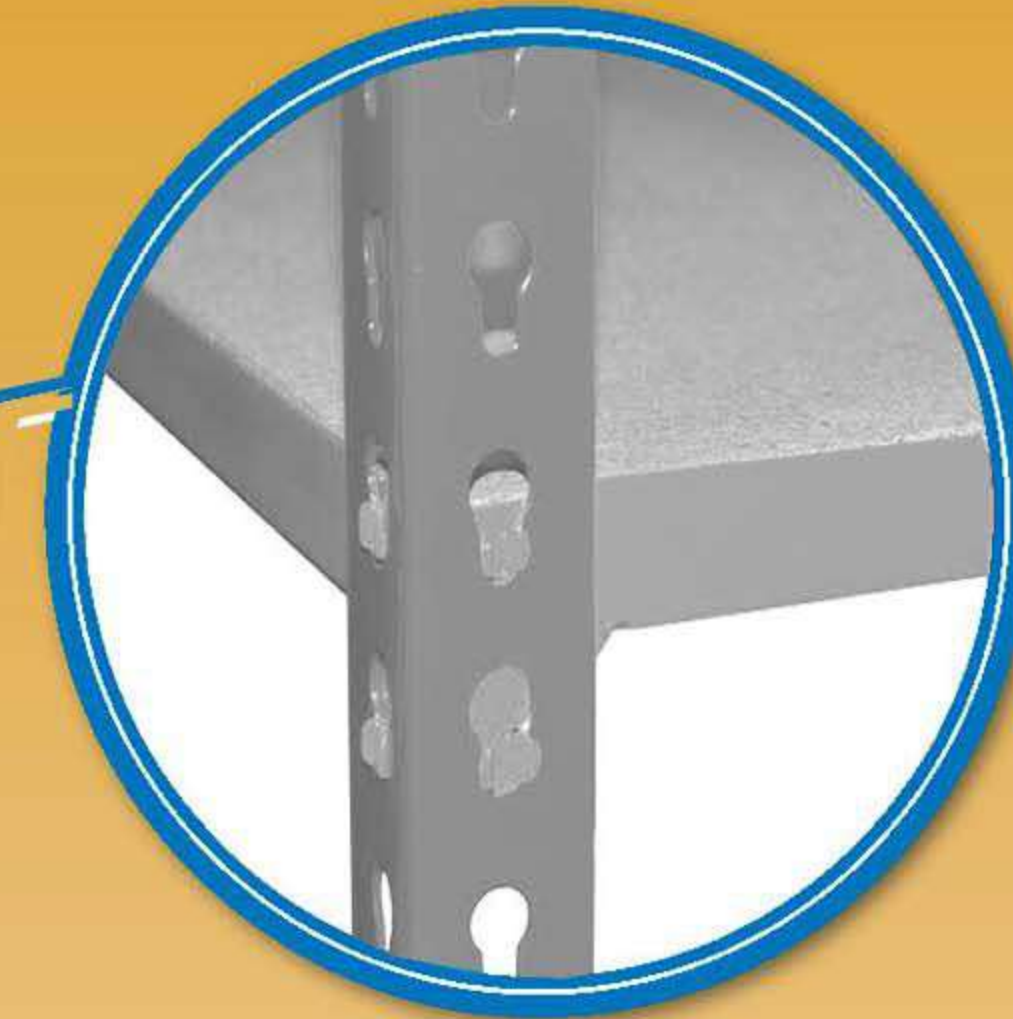
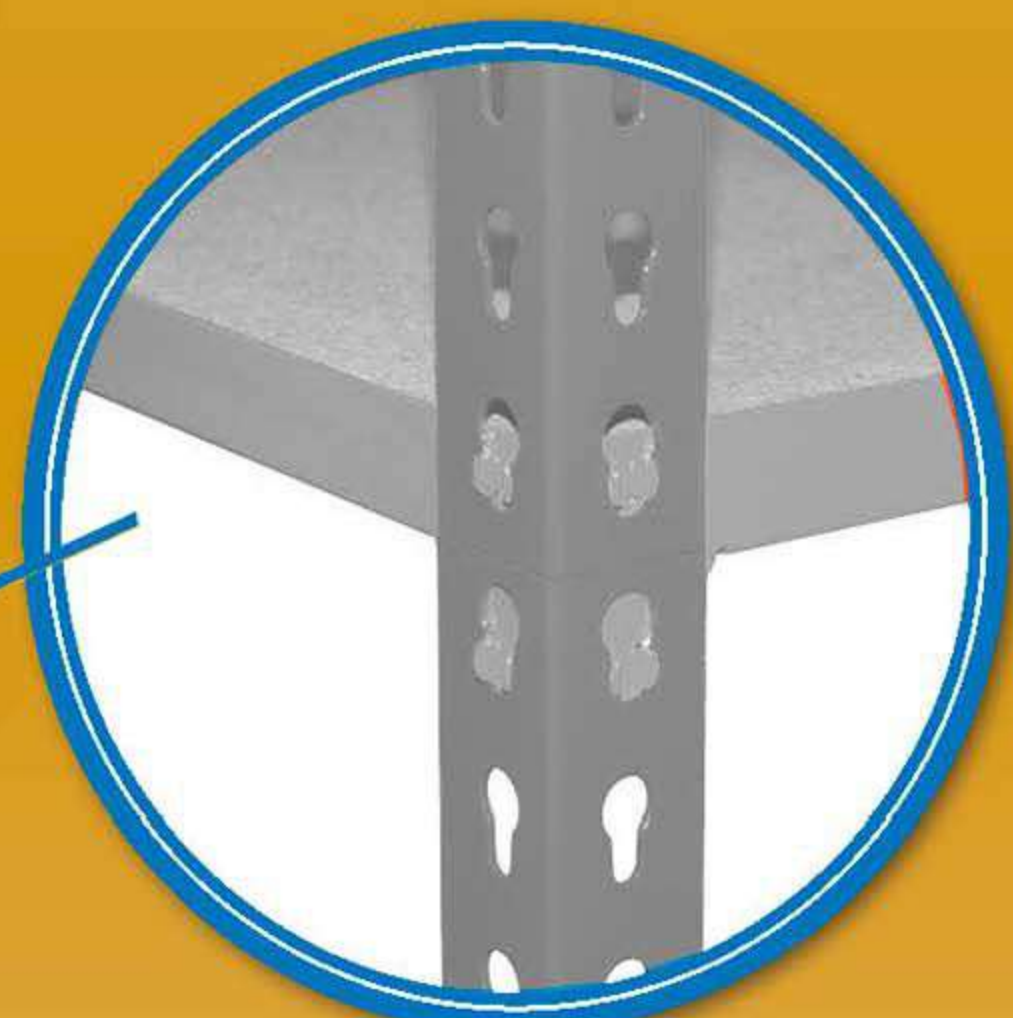
## 39.3" X 39.3" X 15.8"

### MADERCLICK PLUS 3/400

**5** Años Garantía  
Years Guarantee  
Jahre Garantie  
Ans Garantie  
Anos de Garantia  
**SIMONRACK**



**450 kg**  
(990 lb)  
**Total**



\*MEDIDAS EN USO / USED MEASUREMENTS / MASSNAHMEN IM EINSATZ / MESURES EN EMPLOI / MEDIDAS EM USO:  
991 x 1010 x 410 mm (39" x 39.7" x 16.1")



ESTANTERIAS SIMON S.L. B.50.556.463  
PG. ALFAMEN C/ POLIGONO C, N°3  
ALFAMEN (ZARAGOZA)



**Simon Rack**  
SINCE 1964 - MANUFACTURER



[www.simonrack.com](http://www.simonrack.com)



INSTRUCTIONS

