



# SIMONFORTE ST 1206-5

*Plywood*

**250 x 120 x 60 cm**  
**98.4" X 82.7" X 23.6"**



EPOXY POLIESTER

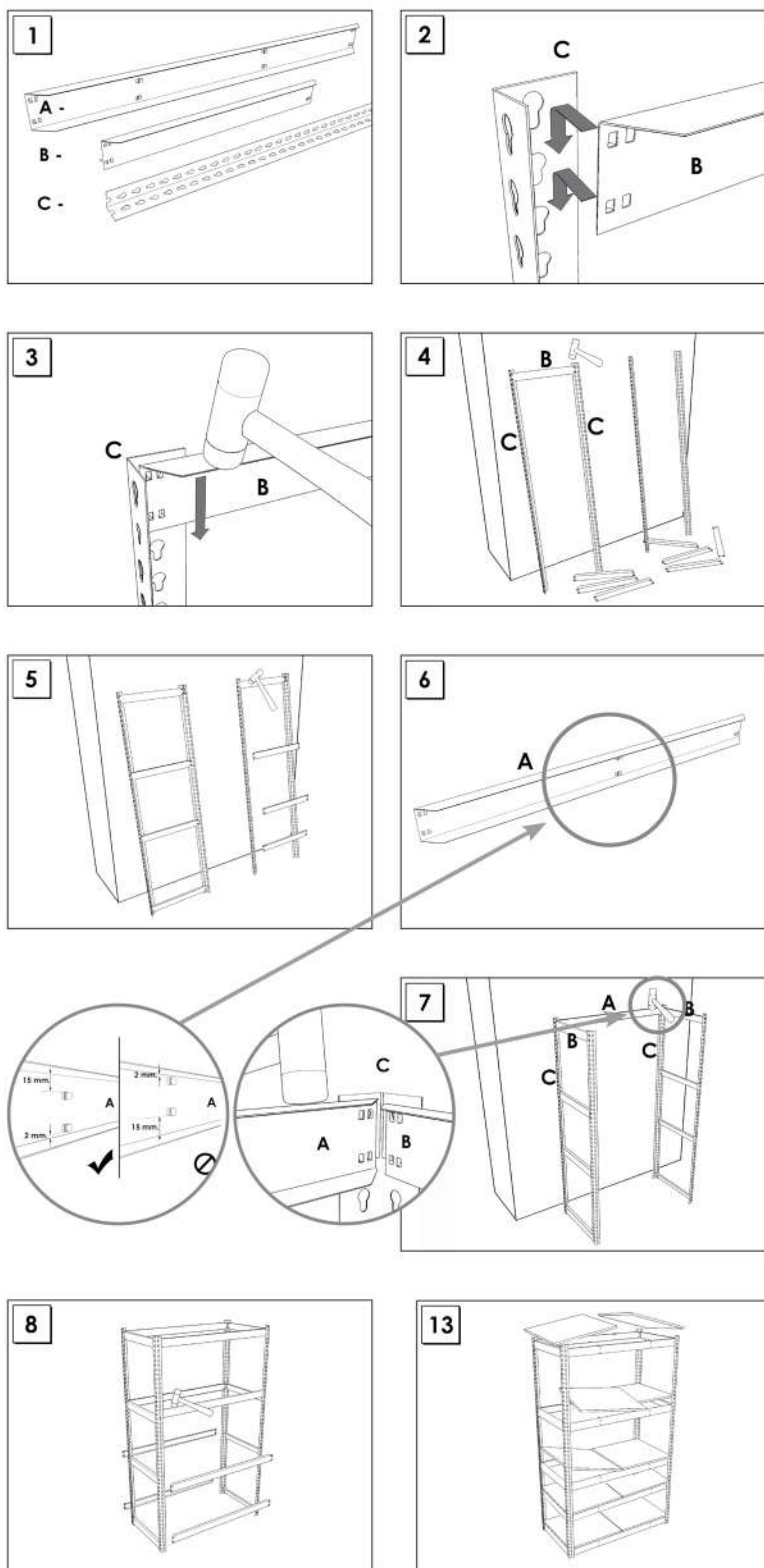
9 min.



[www.simonrack.com](http://www.simonrack.com)



**INSTRUCTIONS**



On-line instructions: [www.simonrack.com/instructions](http://www.simonrack.com/instructions)

LOGIN: 196004

[www.simonrack.com](http://www.simonrack.com) • [www.simonrack.com](http://www.simonrack.com) • [www.simonrack.com](http://www.simonrack.com) • [www.simonrack.com](http://www.simonrack.com)

### SIMONCLASSIC



### SIMONCLICK



### OFFCLICK



### SIMONFORTE



### SIMONCROMO



### SIMONINOX



### SIMONTITÁN



### SIMONPALET



### SIMONLEVER





**Simon Rack**  
SINCE 1964 - MANUFACTURER

# SIMONFORTE ST 1206-5

*Plywood*

**250 x 120 x 60 cm**  
**98.4" X 82.7" X 23.6"**



**PACK  
3/3**

**3000 kg**  
(6613.8 lb)  
**Total**



EPOXY POLIESTER

**9 min.**



4x



250 cm  
98.4"



10x



120 cm  
82.7"

10x



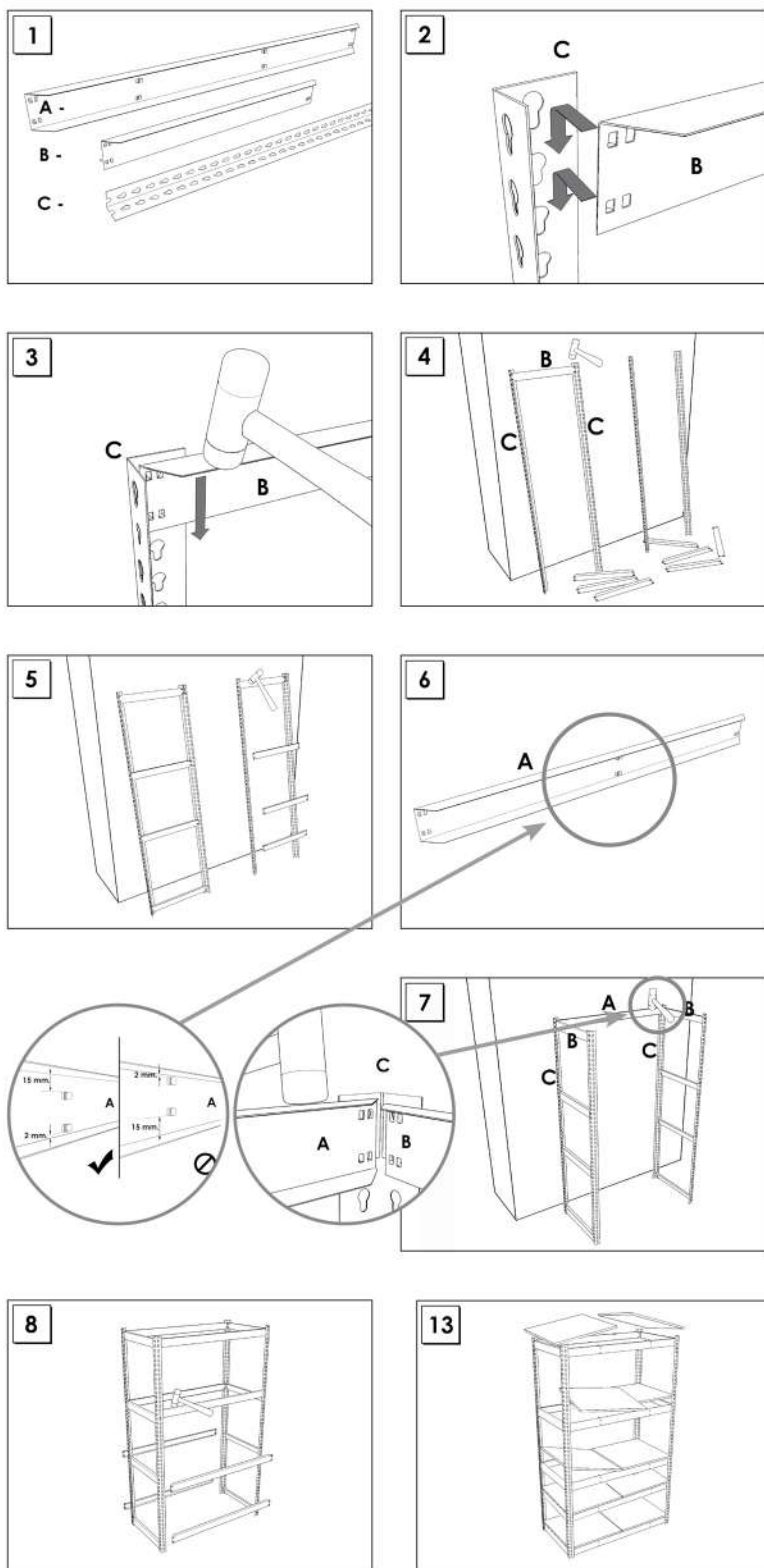
60 cm  
23.6"



[www.simonrack.com](http://www.simonrack.com)



**INSTRUCTIONS**



On-line instructions: [www.simonrack.com/instructions](http://www.simonrack.com/instructions) LOGIN: 196004

[www.simonrack.com](http://www.simonrack.com) • [www.simonrack.com](http://www.simonrack.com) • [www.simonrack.com](http://www.simonrack.com) • [www.simonrack.com](http://www.simonrack.com)

### SIMONCLASSIC



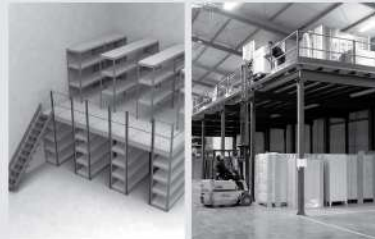
### SIMONCLICK



### OFFCLICK



### SIMONFORTE



### SIMONCROMO



### SIMONINOX



### SIMONTITÁN



### SIMONPALET



### SIMONLEVER

