

SIMONHOMECLICK WOOD

90 x 100 x 30 cm (35.4" x 39.3" x 11.8")

PLUS 3/300



5 Años Garantía *
Years Guarantee
Jahre Garantie
Ans Garantie
Anos de Garantia
SIMONRACK



*MEDIDAS EN USO / USED MEASUREMENTS
MASSNAHMEN IM EINSATZ / MESURES EN EMPLOI / MEDIDAS EM USO:
905 x 1010 x 310 mm (35.6" x 39.7" x 12.2")



ESTANTERIAS SIMON S.L. B.50.556.463
PG. ALFAMEN C/ POLIGONO C, N°3
ALFAMEN (ZARAGOZA)



**Simon
Rack**

SINCE 1964 - MANUFACTURER

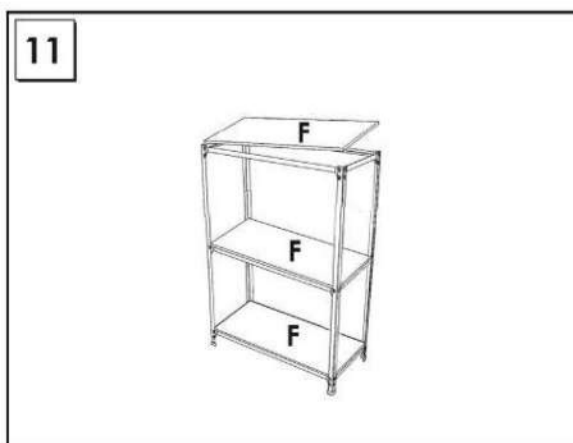
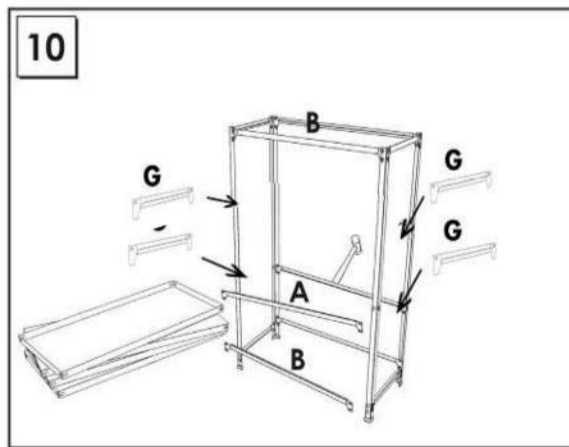
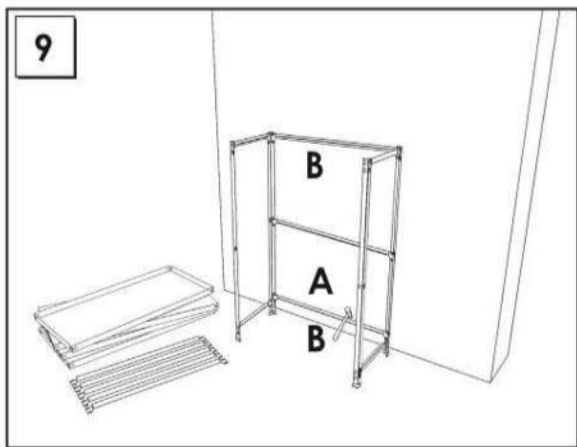
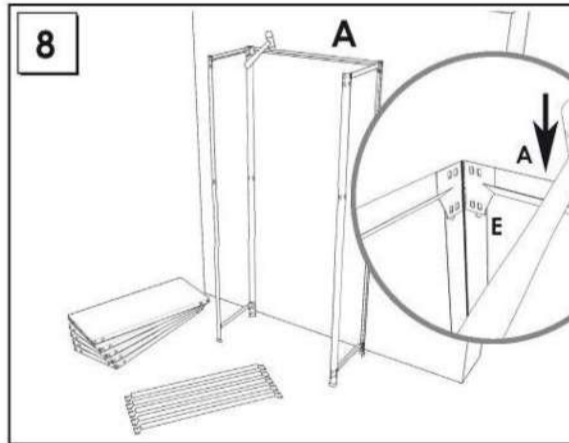
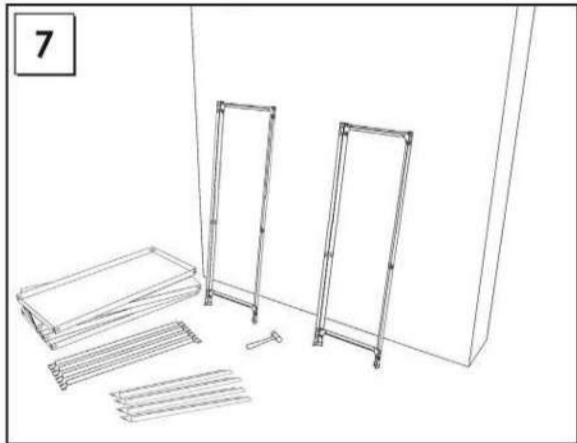
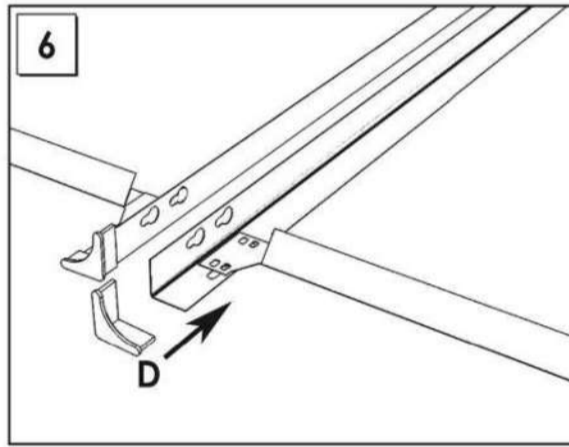
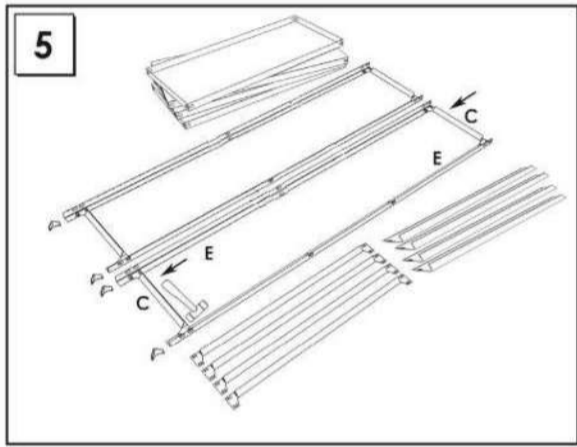
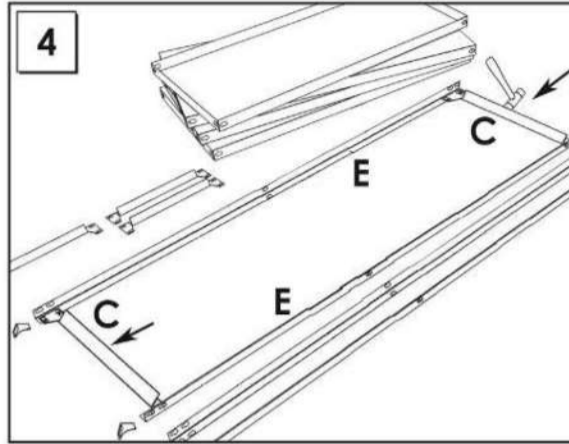
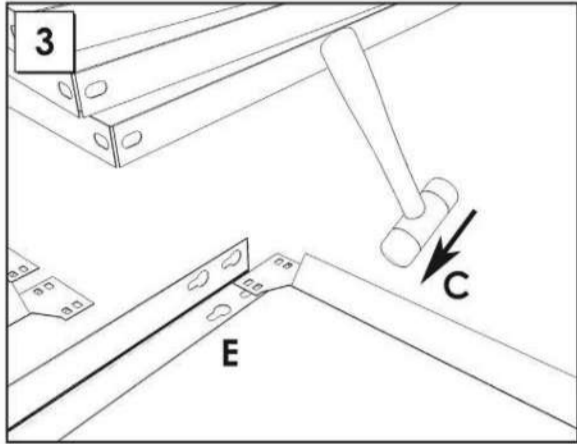
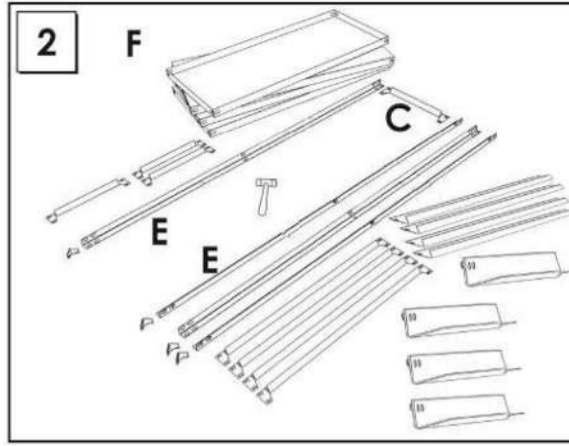
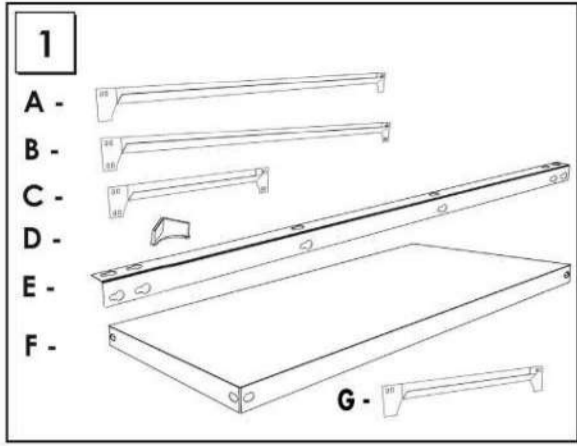


www.simonrack.com



INSTRUCTIONS

STANDARD MOUNTING



SIMONCLASSIC



SIMONCLICK



SIMONOFFICE



SIMONTALLER



BANCOS DE TRABAJO
WORK BENCHES



SIMONHOME



TAGUILLAS
LOCKER



SIMONTITÁN



SIMONINOX



SIMONPALET



SIMONLEVER



ALTILLOS Y PASILLOS ELEVADOS
PLATFORMS AND MEZZANINES

